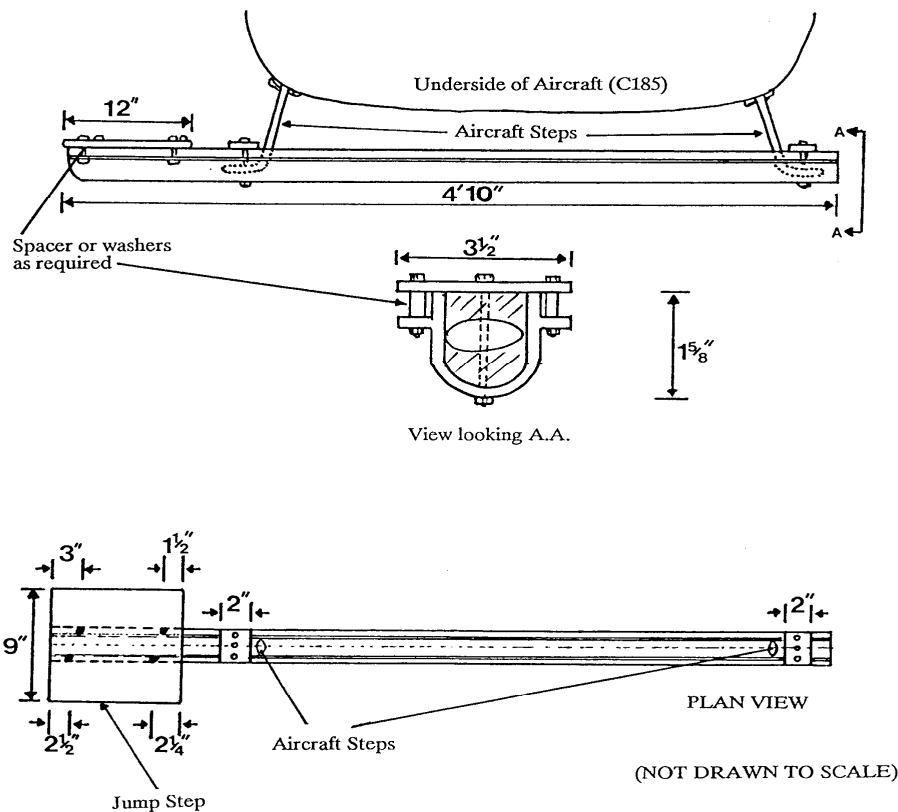


BRITISH SKYDIVING MINOR MODIFICATION NUMBER 3A

Jump Step for Cessna 180 & 185



Notes:

1/4 in. bolts used throughout, 8 off 1 1/2 in. long
2 off 2 1/4 in. long.

Platform is 1/4 in. thick painted with anti-slip paint.

Channel section is 1/4 in. thick material.

All material except bolts is aluminum alloy