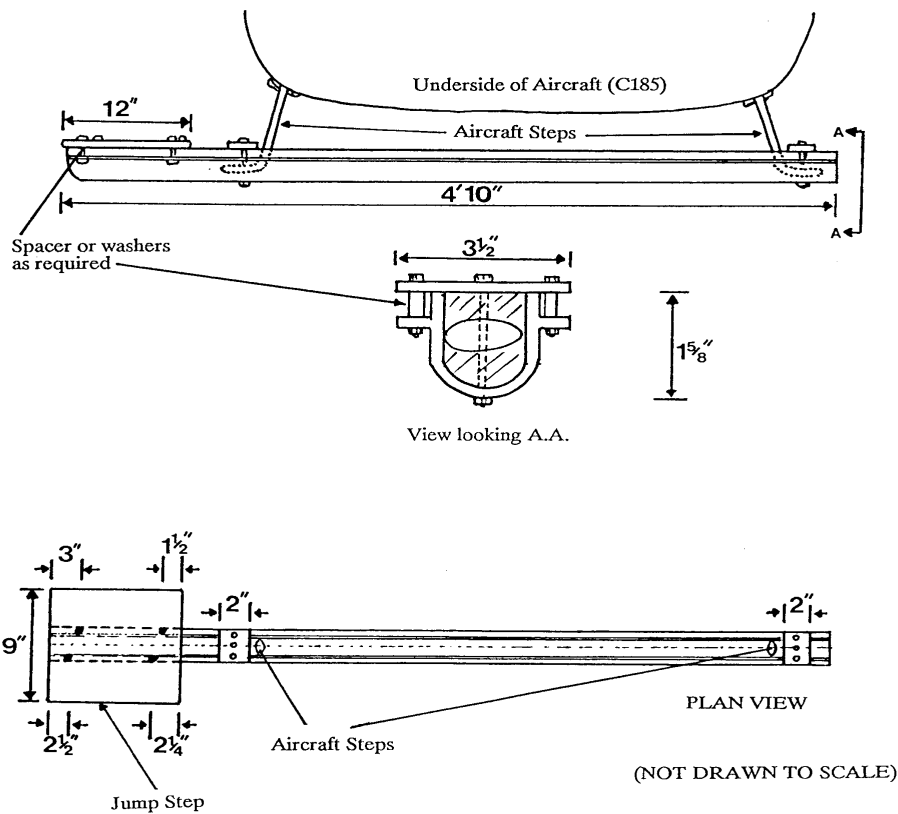


BRITISH SKYDIVING MINOR MODIFICATION NUMBER 3A

Jump Step for Cessna 180 & 185



- Notes:**
- 1/4 in. bolts used throughout, 8 off 1 1/2 in. long
 2 off 2 1/4 in. long.
 - Platform is 1/4 in. thick painted with anti-slip paint.
 - Channel section is 1/4 in. thick material.
 - All material except bolts is aluminum alloy